

The following catalog has gaps in its page numbers, or doesn't have any numbers. We have chosen to leave the page numbering in the order that Acrobat assigns it.

OPERATOR'S MANUAL AND PARTS CATALOG



Onan **ELECTRIC** **GENERATOR SETS** **FOR RECREATIONAL VEHICLES**

•
SERIES

AJ
•

PARTS CATALOG



INSTRUCTIONS FOR ORDERING REPAIR PARTS

For parts or service, contact the dealer from whom you purchased this equipment or refer to your nearest Authorized Onan Parts and Service Center.

To avoid errors or delay in filling your parts order, please furnish all information requested.

Always refer to the nameplate on your unit:

1. Always give the MODEL and SPEC NO. and SERIAL NO.

	
ELECTRIC PLANT	
MODEL AND SPEC. NO. _____	
SERIAL NO. _____	
IMPORTANT ALWAYS GIVE ABOVE NOS. WHEN ORDERING PARTS	
A.C. VOLTS _____	PH _____
K.V.A. _____	WATTS _____
P.F. _____	AMPS _____ H ₂ _____
D.C. VOLTS _____	AMPS _____
WATTS _____	
R.P.M. _____	BAT _____
MANUFACTURED BY ONAN DIVISION OF ONAN CORPORATION MINNEAPOLIS, MINNESOTA MADE IN U.S.A. FOR ELECT. EQUIPMENT ONLY 	
99A444	

For handy reference, insert YOUR generator set nameplate information in the spaces above.

2. Do not order by reference number or group number, always use part number and description.
3. Give the part number, description and quantity needed of each item. If an older part cannot be identified, return the part prepaid to your dealer or nearest **AUTHORIZED SERVICE STATION**. Print your name and address plainly on the package. Write a letter to the same address stating the reason for returning the part.
4. State definite shipping instructions. Any claim for loss or damage to your unit in transit should be filed promptly against the transportation company making the delivery. Shipments are complete unless the packing list indicates items are back ordered.

Prices are purposely omitted from this Parts Catalog due to the confusion resulting from fluctuating costs, import duties, sales taxes, exchange rates, etc.

For current parts prices, consult your Onan Dealer, Distributor or Parts and Service Center.

“En esta lista de partes los precios se omiten de proposito, ya que bastante confusion resulto de fluctuaciones de los precios, derechos aduanales, impuestos de venta, cambios extranjeros, etc.”

Consiga los precios vigentes de su distribuidor de productos “Onan”.

This catalog applies to the standard AJ Mobile generating sets as listed below. Parts are arranged in groups of related items. Each illustrated part is identified by a reference number corresponding to the same reference number below the illustration. Parts illustrations are typical. Using the MODEL and SPEC NO. from the set nameplate, select parts from this catalog that apply to your set. Unless otherwise mentioned in the description, parts are interchangeable between models. Right and left sides are determined by FACING the engine end (front) of the set.

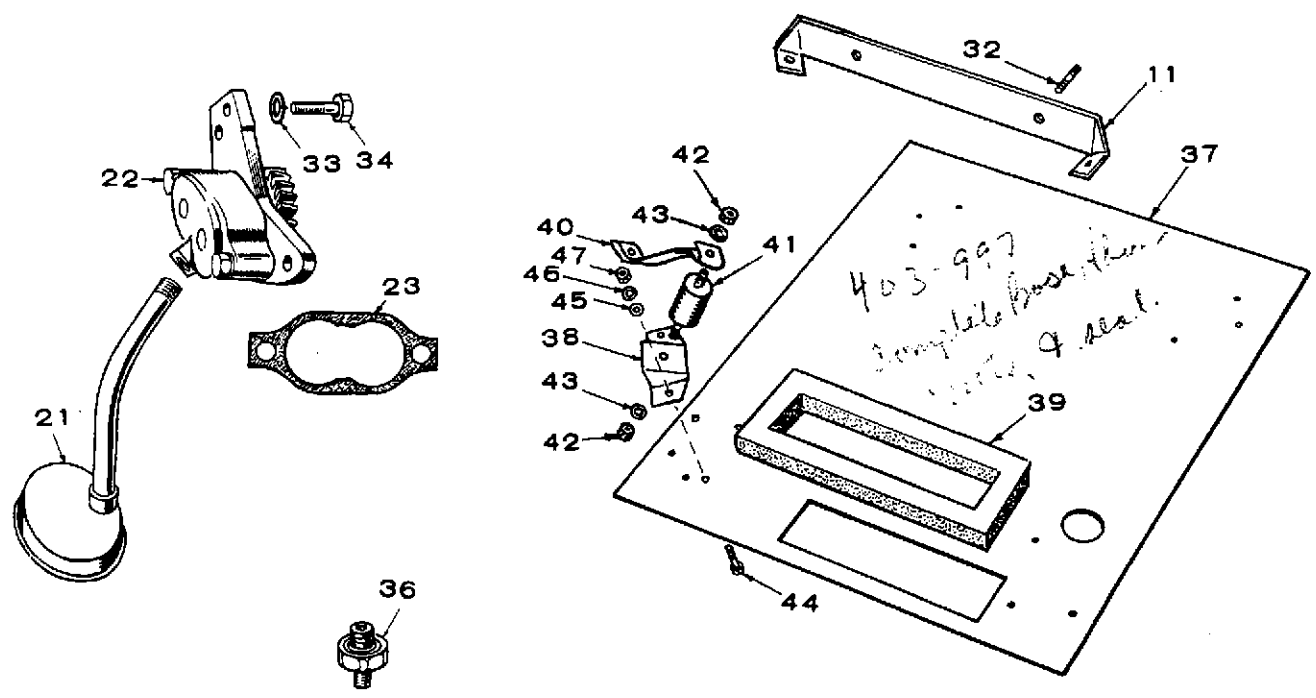
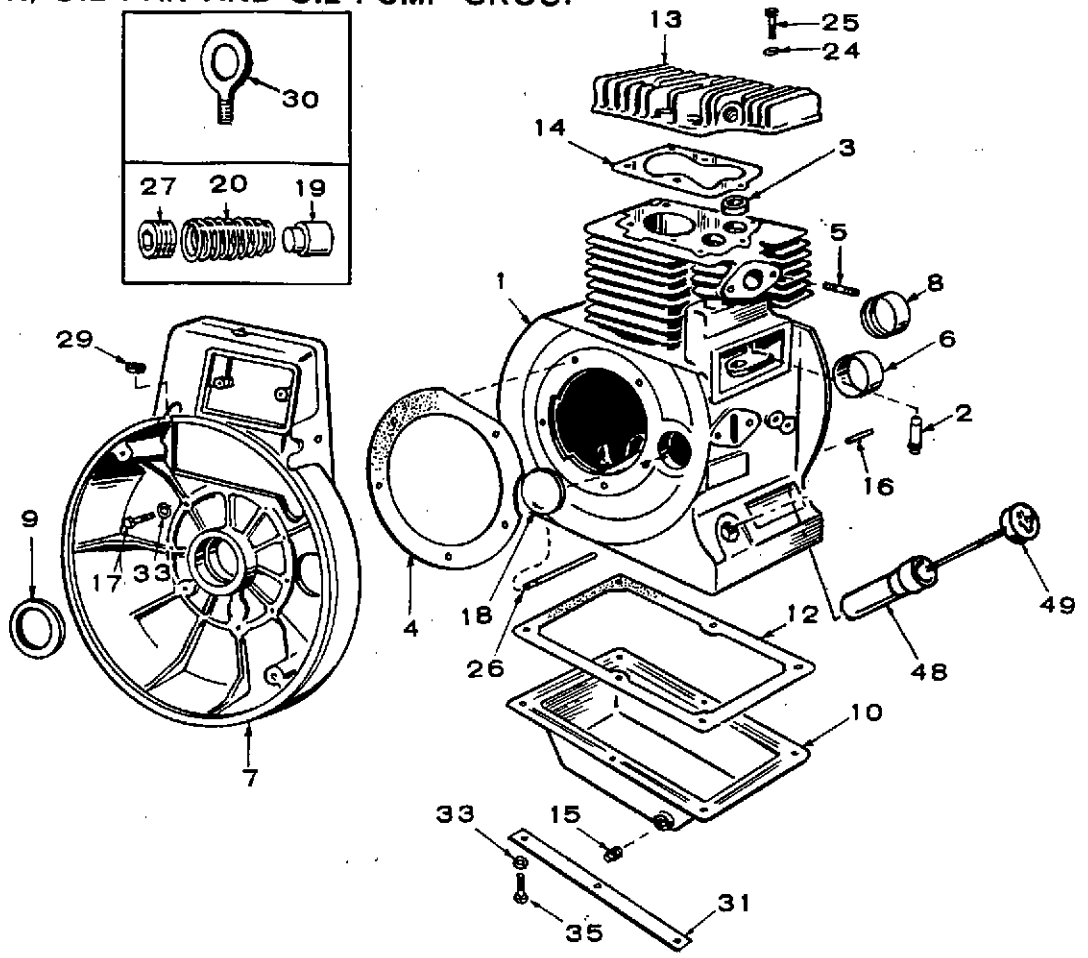
PLANT DATA TABLE

MODEL AND SPEC NO.	ELECTRICAL DATA				
	WATTS	VOLTS	HERTZ	WIRE	PHASE
2.5AJ-1E/*	2500	120	60	2	1

* The Specification Letter advances (A to B, B to C, etc.) with manufacturing changes.

NOTE: Hertz is a unit of frequency equal to one cycle per second.

CYLINDER BLOCK, OIL PAN AND OIL PUMP GROUP

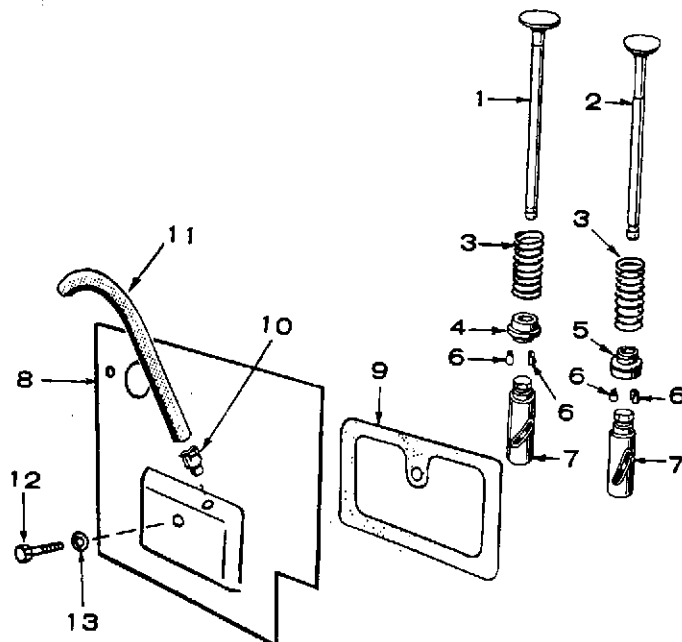


REF. NO.	PART NO.	QTY. USED	PART DESCRIPTION
1	110A194	1	Cylinder Block Assembly (Includes Parts Marked *)
2	110A441	2	*Guide, Valve
3	*INSERT, EXHAUST VALVE SEAT		
	110A826	1	Standard
	110A826-02	1	.002" Oversize
	110A826-05	1	.005" Oversize
	110A826-10	1	.010" Oversize
	110A826-25	1	.025" Oversize
4	101K257	1	*Gasket Kit, Bearing Plate to Engine (one .015", two .006")
5	520A363	2	Stud, Carburetor Mounting
6	101A367	2	*Bearing, Precision Camshaft
7	231A159	1	*Plate, Generator Adapter, & Rear Bearing (Less Bearing)
8	*BEARING, PRECISION CRANKSHAFT (FRONT OR REAR)		
	101B290	2	Standard
	101B290-02	2	.002" Undersize
	101B290-10	2	.010" Undersize
	101B290-20	2	.020" Undersize
	101B290-30	2	.030" Undersize
9	509A123	1	Seal, Oil - Crankshaft Rear
10	102A319	1	Pan, Oil
11	403D993	1	Bracket, Engine Mounting
12	102B18	1	Gasket, Oil Pan
13	110D834	1	Head, Cylinder
14	110C836	1	Gasket, Cylinder Head
15	505-684	1	Plug, 1/4" Oil Drain
16	516A12	2	*Pin, Dowel - Gear Cover Align.
17	800-29	5	*Screw, Cap - Bearing Plate
18	517-48	1	*Plug, Expansion Rear Cam Bearing
19	120A12	1	Plunger, Oil By-Pass
20	120A140	1	Spring, Oil By-Pass Plunger
21	120A571	1	Cup and Pipe, Oil Pump Intake (Includes Screen)
22	120A394	1	Pump, Oil
23	120K161	1	Gasket Kit, Oil Pump

REF. NO.	PART NO.	QTY. USED	PART DESCRIPTION
24	526A208	7	Washer, Cylinder Head
25	SCREW, HARDENED 110A879	4	Cylinder Head (5/16-18 x 1-1/4")
	110A284	3	Cylinder Head (5/16-18 x 1-1/2")
26	120A387	1	*Tube, Crankcase (Pressed in Block)
27	505-274	1	Plug, Oil By-Pass (1/8" x 1/4")
29	508A148	1	Grommet, Generator Adapter
30	403A856	1	Bolt, Eye - Lifting
31	102A689	2	Stiffener, Oil Pan
32	520A119	2	Stud, Mounting Bracket
33	WASHER, LOCK 850-50	6	Oil Base Mounting
	851-5	5	Generator Adapter and Bearing Plate Mounting
	850-40	2	Oil Pump Mounting
34	800-7	2	Screw, Hex Cap - Oil Pump Mounting
35	806-27	6	Screw, Counter Base - Oil Pan Mounting
36	309P237	1	Switch, Oil Pressure
37	403B991	1	Plate, Mounting - Generator Set
38	403B992	4	Bracket, Mounting
39	134A2426	1	Seal, Air Scroll
40	402A389	4	Strap, Restraint
41	402A388	4	Mount, Vibration Cushion
42	862-15	8	Nut, Hex (5/16-18) - Cushion Mounting
43	850-45	8	Washer, Lock (5/16)
44	800-7	8	Screw (1/4-20 x 1") - Bracket to Plate
45	526-18	4	Washer, Flat (1/4)
46	850-40	8	Washer, Lock (1/4)
47	862-1	8	Nut, Hex (1/4-20)
48	123A1066	1	*Tube, Oil Fill
49	123A1052	1	Cap and Indicator - Oil Fill

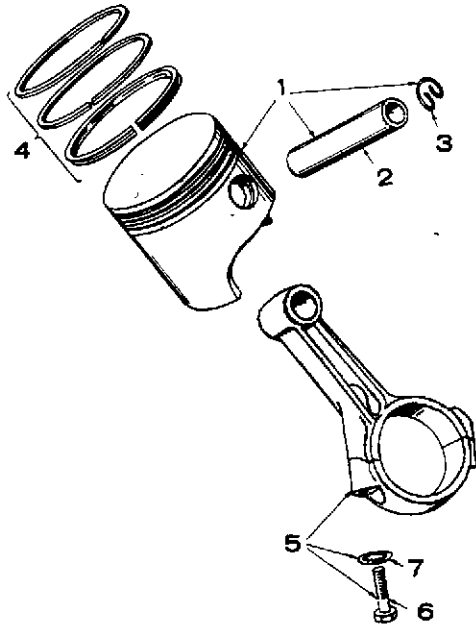
* - Included in Cylinder Block Assembly.

VALVE AND BREATHER GROUP



REF. NO.	PART NO.	QTY. USED	PART DESCRIPTION
1	110B828	1	Valve, Intake
2	110B827	1	Valve, Exhaust (Stellite)
3	110A609	2	Spring, Valve
4	110A558	1	Retainer, Valve Spring - Intake
5	110A540	1	Rotacap, Valve - Exhaust
6	110A8	4	Lock, Valve Spring Retainer
7	115A6	2	Tappet, Valve
8	110B1658	1	Cover, Valve
9	110A832	1	Gasket, Valve Cover
10	123A486	1	Valve, Breather
11	503A194	1	Hose, Breather
12	800-15	1	Screw, Cap (1/4-20 x 3") - Valve Cover
13	526-63	1	Washer (Copper), Valve Cover Screw

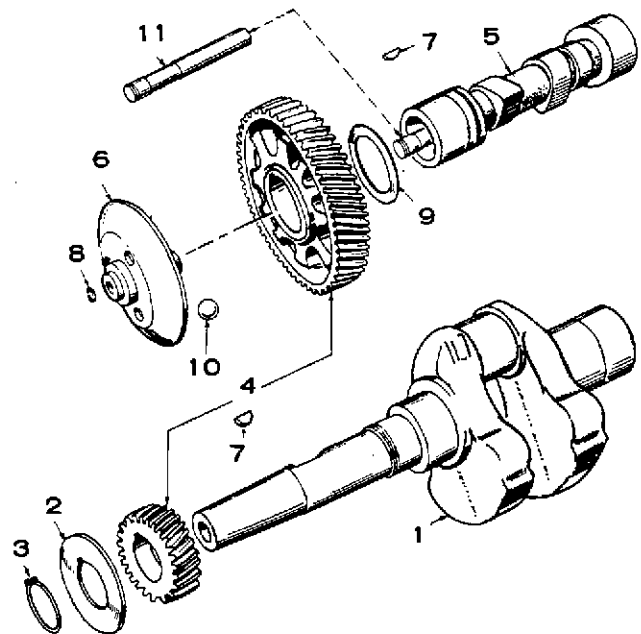
PISTON AND CONNECTING ROD GROUP



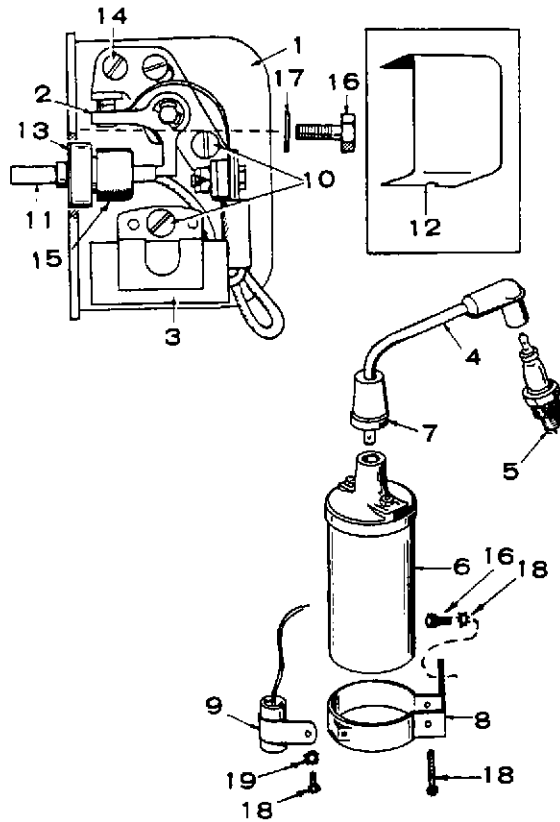
REF. NO.	PART NO.	QTY. USED	PART DESCRIPTION
1	PISTON & PIN ASSEMBLY		
	112A74	1	Standard
	112A74-05	1	.005 " Oversize
	112A74-10	1	.010 " Oversize
	112A74-20	1	.020 " Oversize
	112A74-30	1	.030 " Oversize
	112A74-40	1	.040 " Oversize
2	PIN, PISTON		
	112A63	1	Standard
	112A63-02	1	.002 " Oversize
3	112A13	2	Clip, Piston Pin
4	RING SET		
	113-84	1	Standard
	113-84-05	1	.005 " Oversize
	113-84-10	1	.010 " Oversize
	113-84-20	1	.020 " Oversize
	113-84-30	1	.030 " Oversize
	113-84-40	1	.040 " Oversize
5	ROD, CONNECTING		
	114C95	1	Standard
	114C95-10	1	.010 " Undersize
	114C95-20	1	.020 " Undersize
	114C95-30	1	.030 " Undersize
6	114A23	2	Screw, Rod Cap (Hardened)
7	854-14	2	Washer, Lock (I.T. Shakeproof)

CRANKSHAFT, CAMSHAFT AND GOVERNOR CUP GROUP

REF. NO.	PART NO.	QTY. USED	PART DESCRIPTION
1	104C689	1	Crankshaft
2	104A50	1	Washer, Crankshaft Gear
3	518-12	1	Ring, Lock - Crankshaft Gear Washer
4	105-235	1	Gear Set, Timing (Crankshaft & Camshaft Gear) Includes Flyball Spacer & Plate
5	105A300	1	Camshaft and Pin Assembly
6	150B612	1	Cup, Governor
7	515-1	2	Key, Gear
8	150A78	1	Ring, Lock - Cam, Center Pin
9	105A4	1	Washer, Camshaft Thrust
10	510-15	5	Ball, Fly - Governor
11	150A75	1	Pin, Camshaft Center



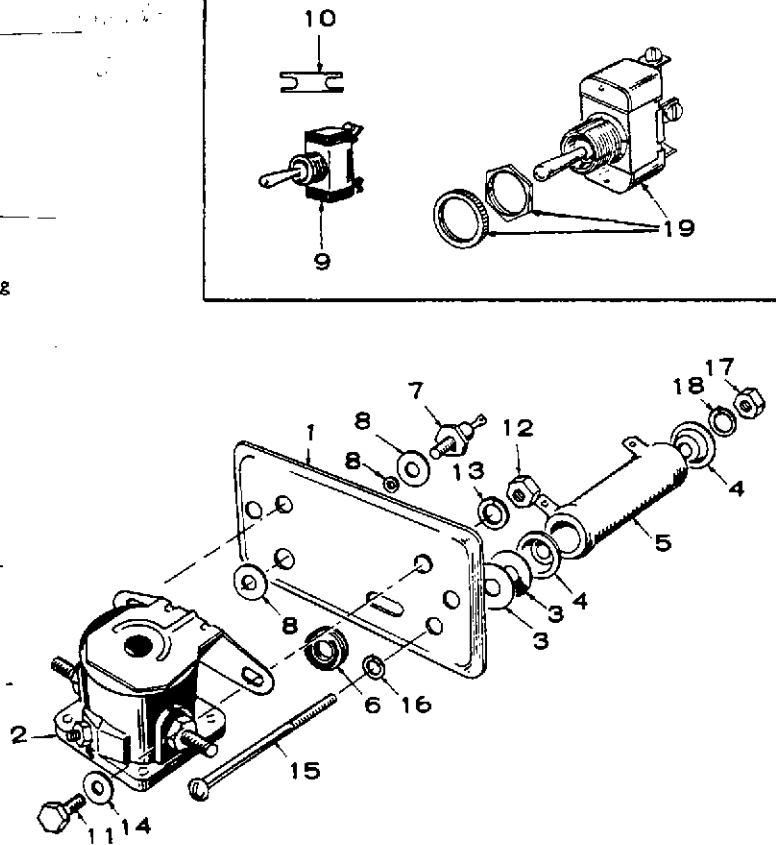
IGNITION GROUP

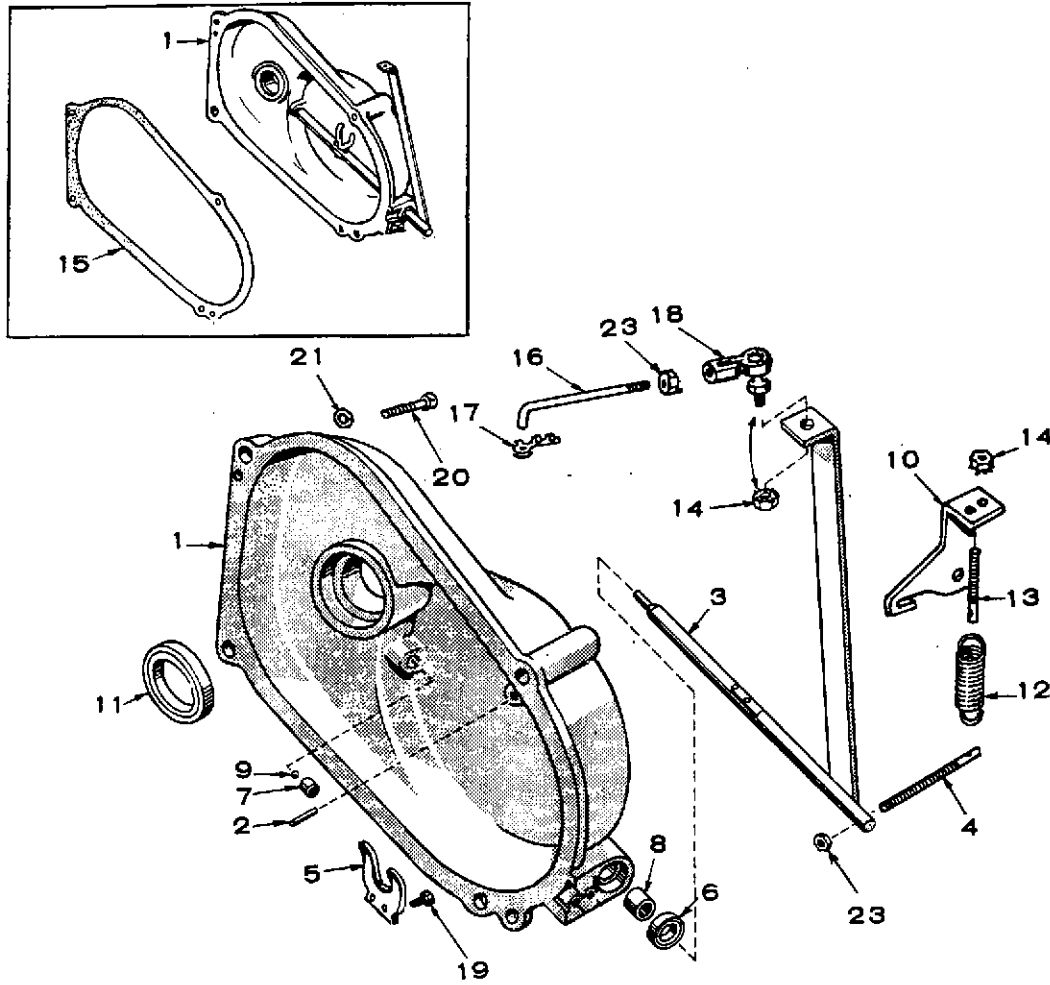


REF. NO.	PART NO.	QTY. USED	PART DESCRIPTION
1	160A555	1	Box Assembly, Breaker
2	160A2	1	Point Set
3	312A97	1	Condenser
4	167A1521	1	Lead, Spark Plug
5	167-241	1	Plug, Spark
6	166B278	1	Coil, Ignition
7	160A558	1	Nipple, Rubber - Ignition Coil
8	160B1045	1	Bracket, Ignition Coil Mounting
9	312A58	1	Condenser, Suppression
10	518-49	3	Screw, Points & Condenser Mounting
11	160A553	1	Plunger & Guide Assembly, Breaker
12	160A551	1	Cover, Breaker Box
13	160A461	1	Gasket, Plunger Guide
14	160A75	1	Pivot, Breaker Arm
15	160A1143	1	Diaphragm Only, Plunger
16	SCREW, HEX CAP 800-3	1	Breaker Box Mounting (1/4-20 x 1/2")
	815-236	1	Coil Bracket Mounting (5/16-18 x 5/8")
17	526A63	1	Washer (Copper), Flat
18	SCREW, ROUND HEAD 166A286	1	Coil Bracket (#10-24 x 1-1/2")
	815-190	1	Condenser Mounting (#8-32 x 3/8")
19	WASHER, SHAKEPROOF 856-2	1	Condenser Mounting (#8)
	853-16	1	Coil Bracket Mounting (5/16")

START SOLENOID GROUP

REF. NO.	PART NO.	QTY. USED	PART DESCRIPTION
1	191B708	1	Plate, Solenoid Mounting
2	307B1031	1	Solenoid, Start (12 Volt)
3	508-32	As Req.	Washer, Insulating
4	304A14	2	Washer, Centering
5	353A28	1	Resistor
6	508P114	1	Grommet
7	305A235	1	Rectifier
8	WASHER, INSULATOR		
	508-16	1	5/16" O.D.
	508-17	1	1/2" O.D.
9	308A140	1	Switch, Ignition
10	337A89	1	Strap, Jumper
11	800-3	2	Screw (1/4-20 x 1/2") - Solenoid Mounting
12	860-13	2	Nut (1/4-20)
13	856-6	2	Washer, Lock (1/4)
14	526-1512	2	Washer, Flat (1/4)
15	813-112	1	Screw (10-32 x 2-1/2") - Resistor Mounting
16	853-8	1	Washer, Lock (#10)
17	870-1053	2	Nut, Hex (#10-32)
18	850-1030	1	Washer, Lock (#10)
19	308-97	2	Switch, (1) Momentary, Low Oil Pressure Switch, (1) Starting



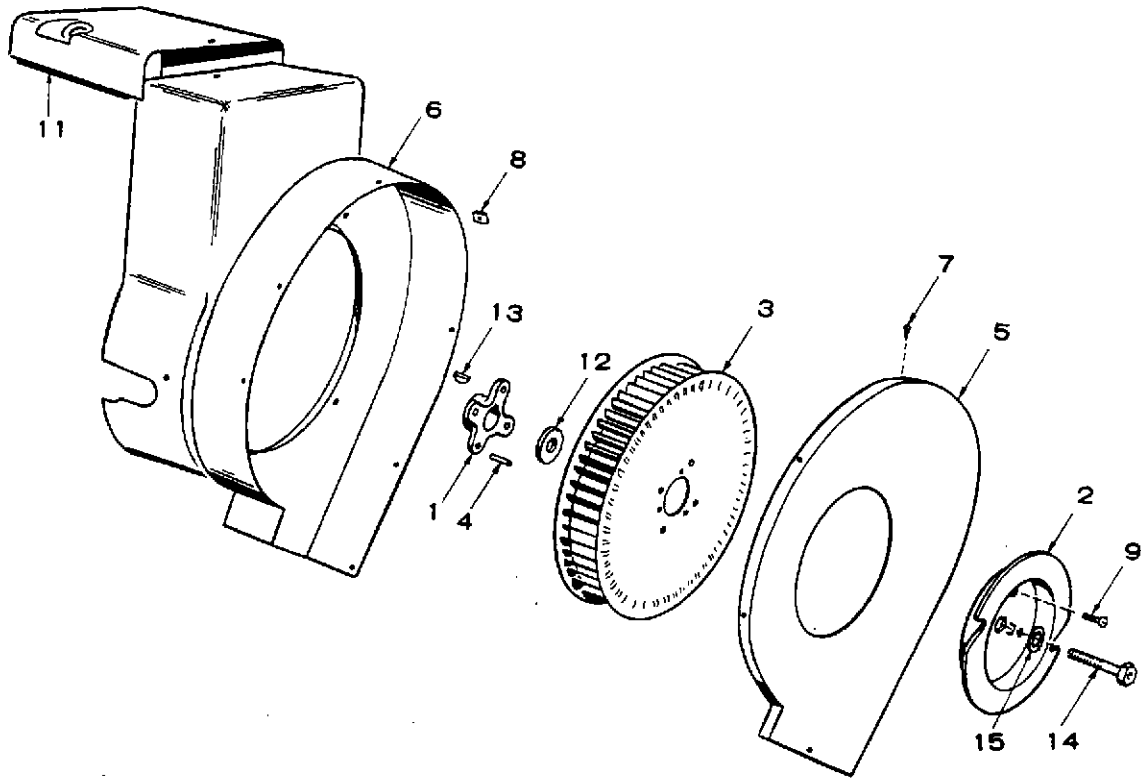


GEAR COVER GROUP

REF. NO.	PART NO.	QTY. USED	PART DESCRIPTION
1	103C320	1	Cover Assembly, Gear - (Includes Parts Marked *)
2	516-117	1	*Pin, Roll (3/16 x 13/16") Governor Cup Stop
3	150A1221	1	*Arm & Shaft, Governor
4	150A177	1	*Stud, Governor Sensitivity Adjusting
5	150B1187	1	*Yoke, Governor Shaft
6	509-8	1	*Seal, Oil - Governor Shaft
7	510-8	1	*Bearing, Governor Shaft-Lower
8	510-13	1	*Bearing, Governor Shaft-Upper
9	510-14	1	*Ball, Governor Shaft Thrust Bracket, Governor Spring
10	150A1224	1	
11	509-12	1	*Seal, Crankshaft Oil, Front
12	150A98	1	Spring, Governor
13	150A213	1	Stud, Gov. Spring Tension Adjusting

REF. NO.	PART NO.	QTY. USED	PART DESCRIPTION
14	870-131	2	Nut, Keps
15	103B13	1	Gasket, Gear Cover
16	150A786	1	Link, Governor Arm to Carburetor
17	518-4	1	Clip, Governor Link to Carb.
18	150A974	1	Joint, Ball
19	815-46	2	*Screw, Governor Yoke Mounting
20	SCREW, HEX CAP - GEAR COVER MOUNTING		
	800-32	2	5/16-18 x 1-3/4"
	800-34	2	5/16-18 x 2-1/4"
21	850-45	4	Washer, Lock - Gear Cover Mounting
23	870-53	2	Nut, (1) *Governor Stud and (1) Governor Link

* - Included in Gear Cover Assembly.

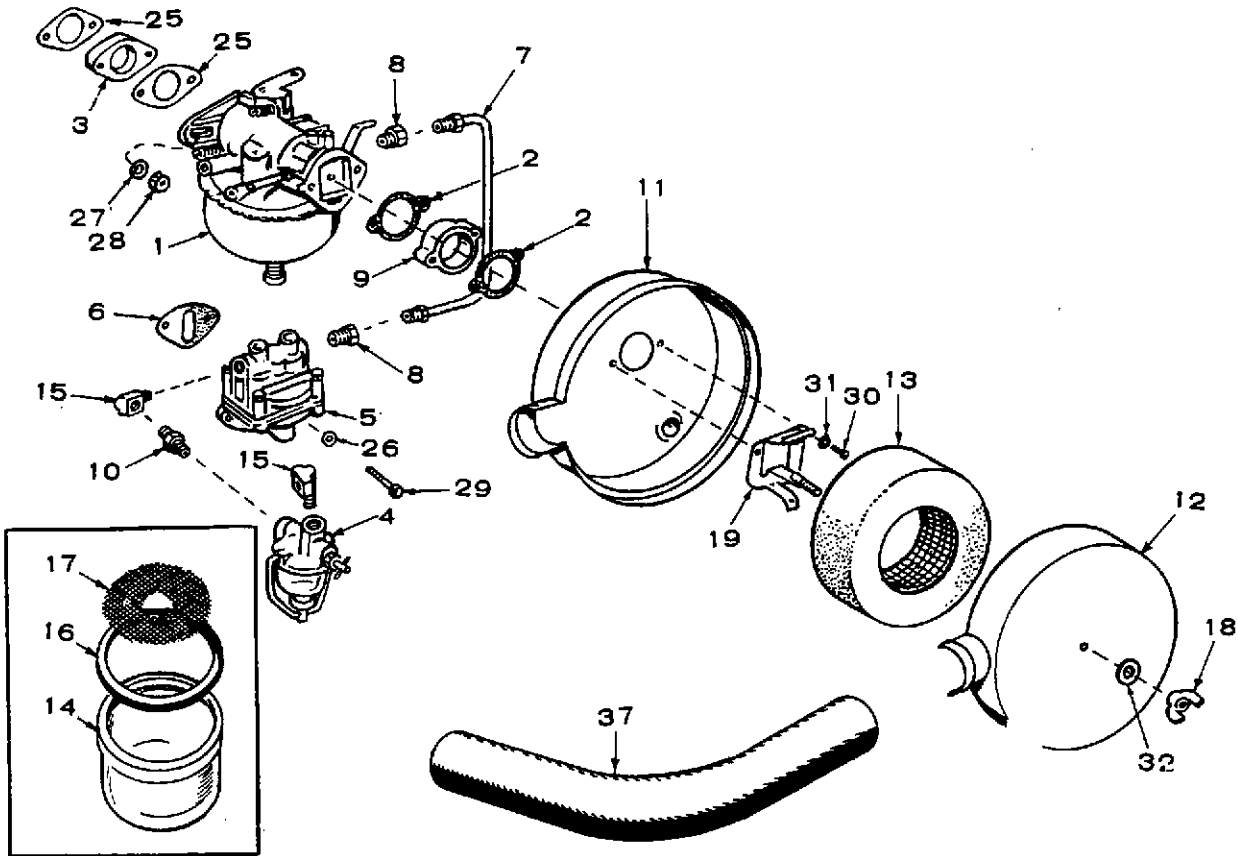


AIR HOUSING GROUP

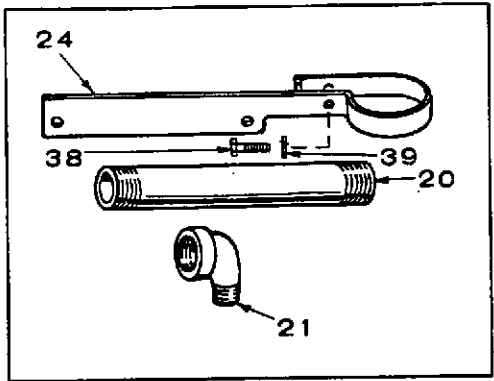
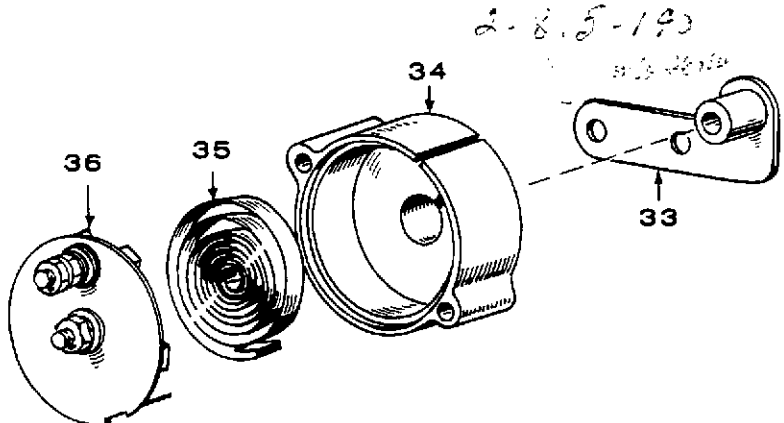
REF. NO.	PART NO.	QTY. USED	PART DESCRIPTION
1	134C1913	1	Hub
2	192B370	1	Sheave, Rope
3	134A1924	1	Wheel, Blower
4	516-91	2	Pin, Groove - Sheave and Blower Wheel-to-Flywheel Hub
5	134D2657	1	Cover, Air Scroll
6	134D2656	1	Housing and Scroll, Blower
7	809-43	8	Screw, Sheet Metal (#10 x 3/8")

REF. NO.	PART NO.	QTY. USED	PART DESCRIPTION
8	870-120	8	Nut, Speed - J Type
9	821-10	2	Screw, Round Head, (1/4-20 x 5/8")
11	134D1904	1	Shroud, Cylinder Air
12	526-17	1	Washer, Hub Mounting
13	515A113	1	Key, Hub
14	104A690	1	Screw, Hub Mounting
15	850-55	1	Washer, Lock (7/16")

FUEL SYSTEM GROUP



1 - 307-1808 Fuel Solenoid Valve & Shim
 2 - 382-527 Inlet Connector
 11 - 500-82 Nylon Pipe
 Part 11 & 12 add position for fuel line



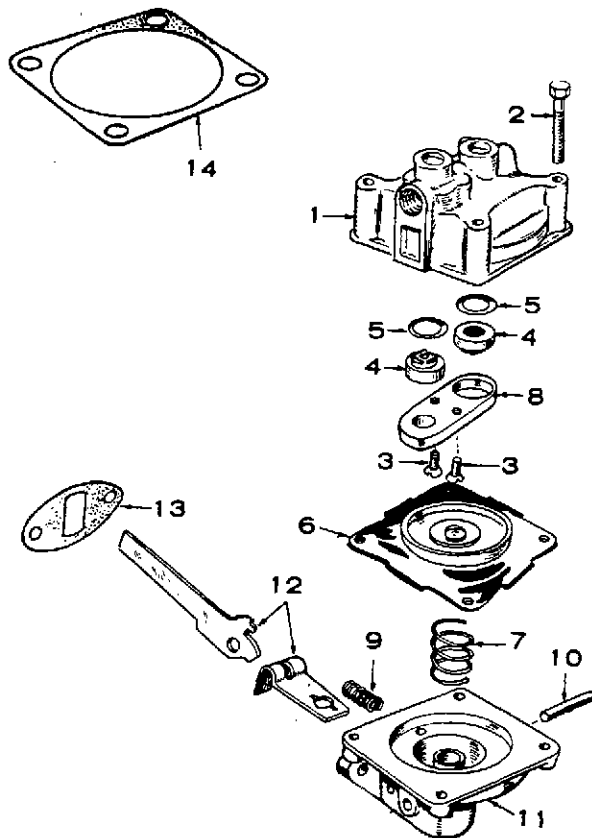
REF. NO.	PART NO.	QTY. USED	PART DESCRIPTION
1	146C140	1	*Carburetor
2	140A1142	2	Gasket, Air Cleaner to Carburetor
3	145A110	1	Gasket, Spacing - Carburetor Flange
4	149B79	1	Filter, Fuel
5	149D1180	1	Pump, Fuel
6	149A3	1	Gasket, Pump Mounting
7	149A1110	1	Line, Fuel Pump to Carburetor
8	502-3	2	Connector (1) Carburetor Inlet (1) Pump Outlet
9	146-163	1	Spacer, Air Cleaner to Carb.
10	502-82	1	Nipple, Filter Mounting
11	140B1026	1	Cleaner, Air - Bottom
12	140B1021	1	Cover, Air Cleaner
13	140A1031	1	Element and Retainer, Air Cleaner
14	149-150	1	Bowl, Fuel Filter
15	502-20	2	Elbow, Street (1/8") Pipe
16	149A149	1	Gasket, Filter Bowl
17	149-202	1	Screen, Fuel Filter
18	865P21	1	Nut, Wing - Air Cleaner
19	140B1020	1	Spacer, Air Cleaner
20	505-754	1	Nipple, Pipe - Exhaust (3/4 x 6")
21	505-51	1	Elbow, Street (3/4" x 90°)

REF. NO.	PART NO.	QTY. USED	PART DESCRIPTION
24	155B1006	1	Bracket, Exhaust Pipe
25	141A78	2	Gasket, Carburetor Mounting
26	526A63	2	Washer, Fuel Pump Mounting
27	853-13	2	Washer, Lock - Carburetor Mounting
28	868-1	2	Nut, Hex - Carburetor Mtg.
29	815-111	2	Screw, Fuel Pump Mounting
30	812-84	2	Screw (8-32 x 1") - Air Cleaner Mounting
31	850-25	2	Washer, Lock (#8)
32	526-48	1	Washer, Flat
33	153A420	1	Adapter, Electric Choke
34	153A58	1	Bracket, Electric Choke
35	153A17	1	Element, Choke Bimetal
36	153A115	1	Cover Assembly, Choke (32 Volt Element)
37	503A561	1	Hose, Air Cleaner
38	800-4	1	Screw (1/4-20 x 5/8") - Exhaust Bracket
39	850-40	1	Washer, Lock (1/4)

* - See separate group for component parts.

NOTE: Muffler not supplied by Onan. Order from vehicle manufacturer.

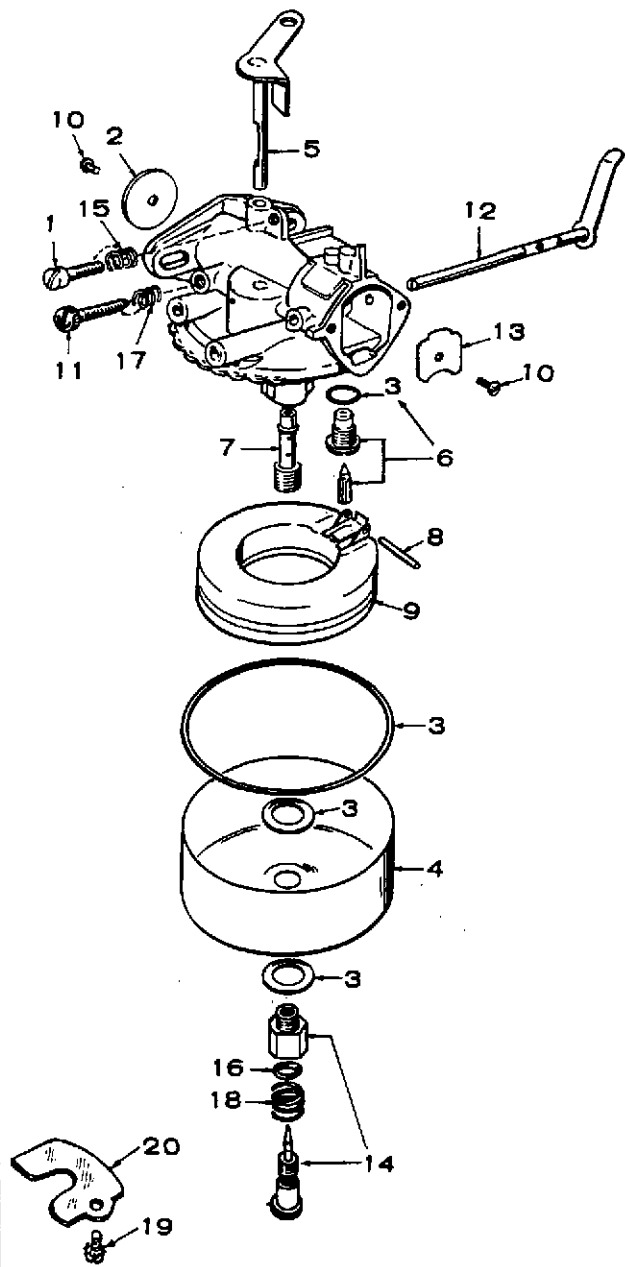
FUEL PUMP PARTS GROUP



REF. NO.	PART NO.	QTY. USED	PART DESCRIPTION
	149D1180	1	Pump, Fuel (Illustrated in Fuel System Group)
	149K526	1	Repair Parts Kit (Includes Parts Marked *)
1		1	Body, Not Sold Separately
2	815-148	4	Screw, Machine (#8-32 x 7/8")
3	815-147	2	Screw, Phillips, Self Tapping (#6-32 x 5/8") - Valve Retainer
4	149-96	2	*Valve and Cage
5	149A95	2	*Gasket, Valve
6	149A582	1	*Diaphragm Assembly
7	149A672	1	*Spring
8	149A539	1	Retainer, Valve Cage
9	149A675	1	*Spring
10	516A113	1	Pin, Rocker Arm
11		1	Body, Not Sold Separately
12	149-710	1	Link and Arm, Rocker (Sold Only As A Set)
13	149A3	1	*Gasket, Pump Mounting
14	149A858	1	*Gasket, Diaphragm - Lower Side

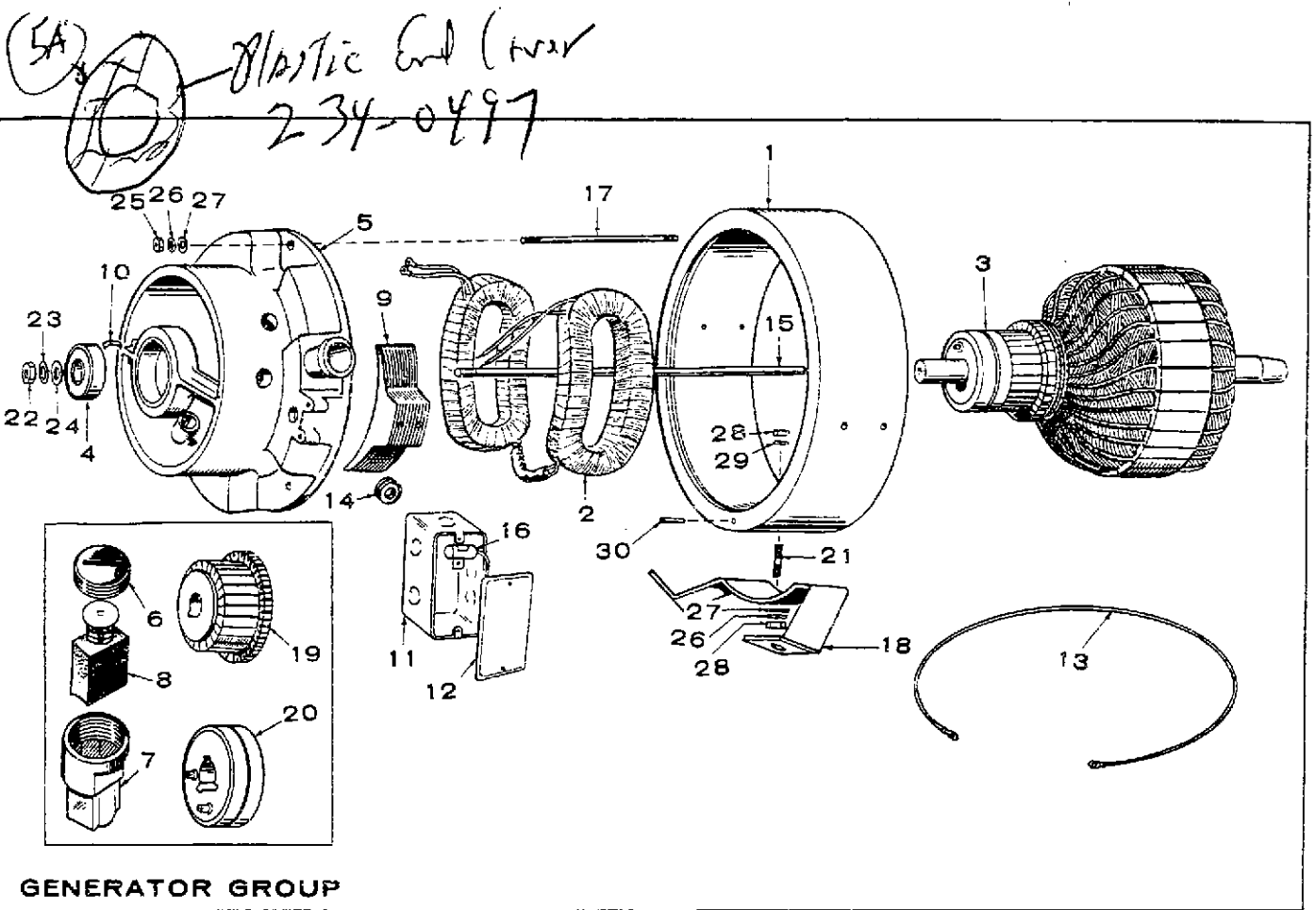
* - Included in Repair Kit.

CARBURETOR (WALBRO) PARTS GROUP



REF. NO.	PART NO.	QTY. USED	PART DESCRIPTION
	146C140	1	Carburetor, Gasoline
	146P149	1	Repair Kit, Carburetor (Includes Parts Marked *)
1	146P122	1	Screw, Throttle Stop
2	146P119	1	Valve, Throttle
3	146P124	1	*Gasket Kit, Carburetor
4	146P118	1	Bowl, Fuel
5	146P112	1	Shaft Assembly, Throttle
6	146P145	1	*Float Valve, Seat & Gasket Pkg.
7	146P113	1	Nozzle
8	146P111	1	*Shaft, Float
9	146P110	1	Float Assembly
10	146P109	2	Screw & Washer
11	146P116	1	*Needle, Idle
12	146P107	1	Shaft Assembly, Choke
13	146P104	1	Valve, Choke
14	146P102	1	*Needle Assembly, High Speed
15	146P121	1	Spring, Throttle Stop Screw
16	146P120	1	Seal, "O" Ring - High Speed Needle
17	146P114	1	Spring, Idle Needle
18	146P117	1	Spring, High Speed Needle
19	146P142	1	Screw Assembly & Washer - Splash Baffle Mounting
20	146P143	1	Baffle, Splash

* - Includes in Repair Kit.



REF. NO.	PART NO.	QTY. USED	PART DESCRIPTION
1	210C411	1	Frame, Machined & Drilled - Less Coils & Poleshoes
2	222A1728	1	Coil Assembly, Field (2 Coils Wired Together)
3	201DI566	1	Armature Assembly, Includes Bearing
4	510A47	1	Bearing, Ball - Armature
5	211DI73	1	Bell, End
6	CAP, BRUSH HOLDER		
	212A1219	2	DC Brush
	212A1217	4	AC Brush
7	HOLDER, BRUSH		
	212A1218	2	DC Brush
	212A1216	4	AC Brush
8	BRUSH		
	214A93	2	DC
	214A92	4	AC
9	221CI56	2	Shoe, Pole
10	232A596	1	Clip, Bearing
11	330A68	1	Box, Outlet
12	330-4	1	Cover, Receptacle
13	336A1845	1	Lead Assembly, Ground

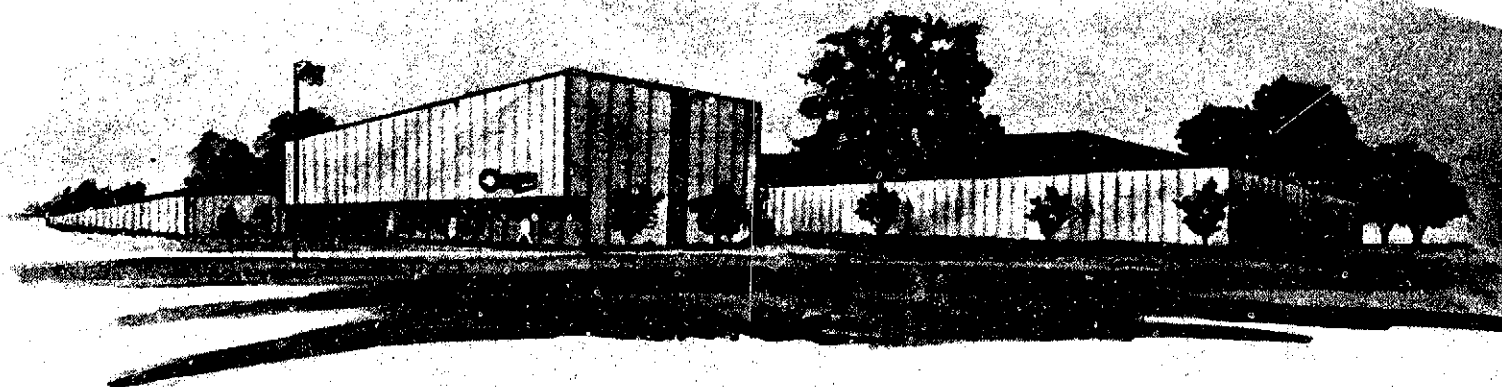
REF. NO.	PART NO.	QTY. USED	PART DESCRIPTION
14	508-26	1	Grommet, Outlet Box
15	520A698	1	Stud, Armature Through
16	CONDENSER		
	312A180	2	Prior to Serial #493324 During Spec K
	312A195	1	Begin Serial #493324 During Spec K
17	520A351	2	Stud, Generator Frame-to-Engine
18	403B994	1	Support, Generator Mounting
19	203A148	1	Commutator (DC)
20	204B9	1	Collector Ring (AC)
21	520A1703	1	Stud, Generator Mounting Support
22	862-3	1	Nut, Hex (3/8-16) - Armature Stud
23	850-50	1	Washer, Lock (3/8)
24	526-13	1	Washer, Flat (3/8)
25	862-1015	2	Nut, Hex (5/16-18) - Generator Through Stud
26	850-45	3	Washer, Lock (5/16)
27	526-115	3	Washer, Flat (5/16)
28	862-1015	2	Nut, Hex (5/16-18) - Generator Support Mounting
29	856-1008	1	Washer, Lock (5/16)
30	516P103	2	Pin, Roll - End Bell Alignment

X 234-0497 *Cover end bell*

SERVICE KITS & MISCELLANEOUS

NOTE: For other kits, refer to the group for the part in question.

REF. NO.	PART NO.	QTY. USED	PART DESCRIPTION
	98CI100	1	Decal Kit
	168K118	1	Gasket Kit, Set
	522K263	1	Overhaul Kit, Set
	525P137	1	Paint, Touch-up Enamel (Green) 16 oz, Pressurized Can



ONAN 1400 73RD AVENUE N.E. • MINNEAPOLIS, MINNESOTA 55432
A DIVISION OF ONAN CORPORATION



B1

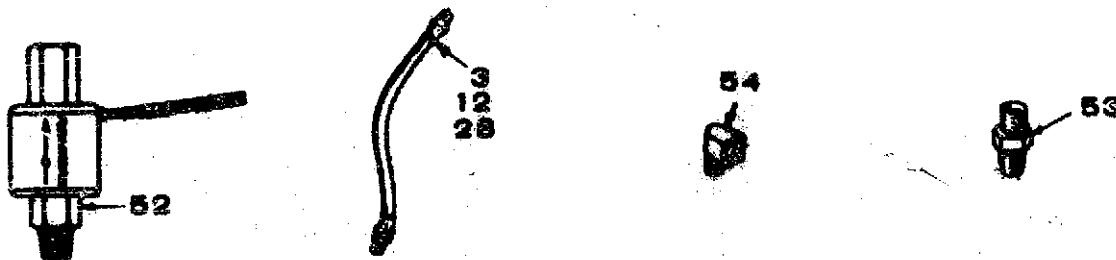
Redistribution or publication of this document by any means, is strictly prohibited.

SUPPLEMENTARY PARTS LIST (7/73)

These parts apply to the following series Electric Power Plants for Recreational Vehicles and the Operators Manual and Parts Catalog shown adjacent to the model designation. Use these parts in place of or in addition to those shown in the main operators manual and parts catalog.

MODELOPERATORS MANUAL AND PARTS CATALOG

AJ	924-310
BF (Power Drawer)	965-0315
CCK	927-310
CCKB	927-303
LK	930-310
NH	940-310
NH (Power Drawer)	940-0315



FUEL SYSTEM GROUP

<u>REF. NO.</u>	<u>PART NO.</u>	<u>QTY. USED</u>	<u>PART DESCRIPTION</u>
3	501-204	1	Line, Fuel (NH)
12	501-0001	1	Line, Fuel (BF and NH Power Drawer)
28	501-204	1	Line, Fuel (CCK)
52	307P1279	1	Valve, Fuel Solenoid
53	502-82	1	Nipple, Pipe (AJ, CCKB and LK)
54	502-99	1	Elbow, Reducing (CCK and NH)
54	502-0099	1	Elbow, Reducing (BF and NH Power Drawer)

NOTE: Reference numbers do not necessarily follow the last reference number in the main parts catalog.

MODEL 2.5AJ-1ESPEC. 10898K

SUPPLEMENTARY PARTS LIST 900- 43 (per above model and spec.)
Parts listed below apply to the above model. Use these parts in
place of (or in addition to) the parts listed for Parts Key _____
in the standard parts catalog No. 924-310

PART NO.	QUAN.	DESCRIPTION
103A319	1	Pan, Oil
505-130	1	Plug, Oil Fill
503A271	1	Hose, Breather
146C140	1	Carburetor
146P104	1	Valve, Choke (Carb.)
146P107	1	Shaft Assy., Choke (Carb.)
140A1142	1	Gasket, Air Cleaner to Carburetor
153A420	1	Adapter, Choke
140A1164	1	Cleaner, Air - Bottom - Includes Spacer & Breather Inlet Tube
153A58	1	Bracket, Choke
153A17	1	Element, Choke
153A115	1	Cover, Choke



Dated 10/20/71
Generation

Revised _____

Page 1 **of** 1

Redistribution or publication of this document
by any means, is strictly prohibited.

F2

PART NO.	QTY.	DESCRIPTION	PART NO.	QTY.	DESCRIPTION
520-0632	2	Stud, Carburetor Mtg. (1/4" x 1-1/2")			
307-1279	1	Valve, Fuel Solenoid			
502-0082	2	Nipple, Hex - (1) Filter Inlet (1) Filter Outlet			
505-0165	1	Nipple, Exhaust (3/4"x5-1/2")			
134-3080	1	Guard, Scroll Outlet			
145-0469	1	Plate, Carburetor Mounting			
332-0527	3	Terminal, Wire - (1) Choke Cover Wire (1) Positive Coil Lead (1) Suppression Condenser Mounting Screw			
353-0028	2	Resistor, Start Solenoid			
304-0014	3	Washer, Centering - Resistor			
332-0142	1	Terminal, Ground - Solderless			
337-0094	1	Strap, Ground			
402-0144	1	Mount, Rubber (1" OD x 7/16" ID x 1-1/4" LG)			
520-0831	1	Stud, Armature Through (11-9/16" LG)			
234-0497	1	Cover, End Bell			
508-0148	1	Grommet, Rubber - Generator Lead (3/8" Hole)			
214-0100	2	Brush (DC)			
222-1807	1	Coil Assembly, Field			
201-2318	1	Armature Assembly			

SPECIAL PARTS LIST FOR MODEL 2.5AJ-1E SPEC 12006K
 FOR STANDARD PARTS REFER TO CATALOG 924-0310 KEY NO. -
 (PARTS CATALOG ALSO CONTAINS COMPONENTS FOR MAJOR OPTIONAL FEATURES LISTED BELOW)
 WIRING DIAGRAM NO. 605-0110-01

PART NO.	QTY.	DESCRIPTION	PART NO.	QTY.	DESCRIPTION
520-0632	2	Stud, Carburetor Mtg (1/4" x 1-1/2")			
307-1279	1	Valve, Fuel Solenoid			
502-0082	2	Nipple, Hex - (1) Filter Inlet (1) Filter Outlet			
505-0165	1	Nipple, Exhaust (3/4" x 5-1/2")			
134-3080	1	Guard, Scroll Outlet			
145-0469	1	Plate, Carburetor Mounting			
332-0527	3	Terminal, Wire - (1) Choke Cover Wire (1) Positive Coil Lead (1) Suppression Condenser Mounting Screw			
353-0028	2	Resistor, Start Solenoid			
304-0014	3	Washer, Centering - Resistor			
332-0142	1	Terminal, Ground - Solderless			
337-0094	1	Strap, Ground			
402-0144	1	Mount, Rubber (1" OD x 7/16" ID X 1-1/4" LG)			
234-0497	1	Cover, End Bell			
508-0148	1	Grommet, Rubber - Generator Lead (3/8" Hole)			
214-0100	2	Brush (DC)			
201-2293	1	Armature Assembly			
520-0831	1	Stud, Armature Through (11-9/16" LG)			

WIRING DIAGRAM NO. 605-0110-01

PART NO.	QTY.	DESCRIPTION	PART NO.	QTY.	DESCRIPTION
520-0632	2	Stud, Carburetor Mtg. (1/4" x 1-1/2")			
307-1279	1	Valve, Fuel Solenoid			
502-0082	2	Nipple, Hex - (1) Filter Inlet (1) Filter Outlet			
505-0165	1	Nipple, Exhaust (3/4"x5-1/2")			
134-3080	1	Guard, Scroll Outlet			
145-0469	1	Plate, Carburetor Mounting			
332-0527	3	Terminal, Wire - (1) Choke Cover Wire (1) Positive Coil Lead (1) Suppression Condenser Mounting Screw			
353-0028	2	Resistor, Start Solenoid			
304-0014	3	Washer, Centering - Resistor			
332-0142	1	Terminal, Ground - Solderless			
337-0094	1	Strap, Ground			
520-0831	1	Stud, Armature Through (11-9/16" LG)			
234-0497	1	Cover, End Bell			
508-0148	1	Grommet, Rubber - Generator Lead (3/8" Hole)			
214-0100	2	Brush (DC)			
222-1807	1	Coil Assembly, Field			
201-2318	1	Armature Assembly			

(PARTS CATALOG ALSO CONTAINS COMPONENTS FOR MAJOR OPTIONAL FEATURES LISTED BELOW)

WIRING DIAGRAM NO. 605-0110-01

PART NO.	QTY.	DESCRIPTION	PART NO.	QTY.	DESCRIPTION
520-0632	2	Stud, Carburetor Mtg. (1/4" x 1-1/2")			
307-1279	1	Valve, Fuel Solenoid			
502-0082	2	Nipple, Hex - (1) Filter Inlet (1) Filter Outlet			
505-0165	1	Nipple, Exhaust (3/4"x5-1/2")			
134-3080	1	Guard, Scroll Outlet			
145-0469	1	Plate, Carubretor Mounting			
332-0527	3	Terminal, Wire - (1) Choke Cover Wire (1) Positive Coil Lead (1) Suppression Condenser Mounting Screw			
353-0028	2	Resistor, Start Solenoid			
304-0014	3	Washer, Centering - Resistor			
332-0142	1	Terminal, Ground - Solderless			
337-0094	1	Strap, Ground			
234-0497	1	Cover, End Bell			
508-0148	1	Grommet, Rubber - Generator Lead (3/8" Hole)			
214-0100	2	Brush (DC)			
201-2293	1	Armature Assembly			
520-0831	1	Stud, Armature Through (11-9/16" LG)			

WIRING DIAGRAM NO. 605-0110-01

PART NO.	QTY.	DESCRIPTION	PART NO.	QTY.	DESCRIPTION
520-0632	2	Stud, Carburetor Mtg. (1/4" x 1-1/2")			
307-1279	1	Valve, Fuel Solenoid			
502-0082	2	Nipple, Hex - (1) Filter Inlet (1) Filter Outlet			
505-0165	1	Nipple, Exhaust (3/4" x 5-1/2")			
134-3080	1	Guard, Scroll Outlet			
145-0469	1	Plate, Carburetor Mounting			
332-0527	3	Terminal, Wire - (1) Choke Cover Wire (1) Positive Coil Lead (1) Suppression Condenser Mounting Screw			
353-0028	2	Resistor, Start Solenoid			
304-0014	3	Washer, Centering - Resistor			
332-0142	1	Terminal, Ground - Solderless			
337-0094	1	Strap, Ground			
402-0144	1	Mount, Rubber (1" OD x 7/16" ID x 1-1/4" LG)			
234-0497	1	Cover, End Bell			
508-0148	1	Grommet, Rubber - Generator Lead (3/8" Hole)			
214-0100	2	Brush (DC)			
201-2293	1	Armature Assembly			
520-0831	1	Stud, Armature Through (11-9/16" LG)			
403-1049	1	Plate, Mounting - Generator Set			

Dec 1, 1978

(PARTS CATALOG ALSO CONTAINS COMPONENTS FOR MAJOR OPTIONAL FEATURES LISTED BELOW)

WIRING DIAGRAM NO. 605-0110-01

PART NO.	QTY.	DESCRIPTION	PART NO.	QTY.	DESCRIPTION
520-0632	2	Stud, Carburetor Mtg. (1/4" x 1-1/2")			
307-1279	1	Valve, Fuel Solenoid			
502-0082	2	Nipple, Hex (1) Filter Inlet (1) Filter Outlet			
505-0165	1	Nipple, Exhaust (3/4"x5-1/2")			
134-3080	1	Guard, Scroll Outlet			
145-0469	1	Plate, Carburetor Mounting			
332-0527	3	Terminal, Wire - (1) Choke Cover Wire (1) Positive Coil Lead (1) Suppression Condenser Mounting Screw			
353-0028	2	Resistor, Start Solenoid			
304-0014	3	Washer, Centering - Resistor			
332-0142	1	Terminal, Ground - Solderless			
337-0094	1	Strap, Ground			
234-0497	1	Cover, End Bell			
508-0148	1	Grommet, Rubber - Generator Lead (3/8" Hole)			
214-0160	2	Brush (DC)			
301-2293	1	Armature Assembly			
320-0831	1	Stud, Armature Through (11-9/16" LG)			
403-1049	1	Plate, Mounting - Generator Set			